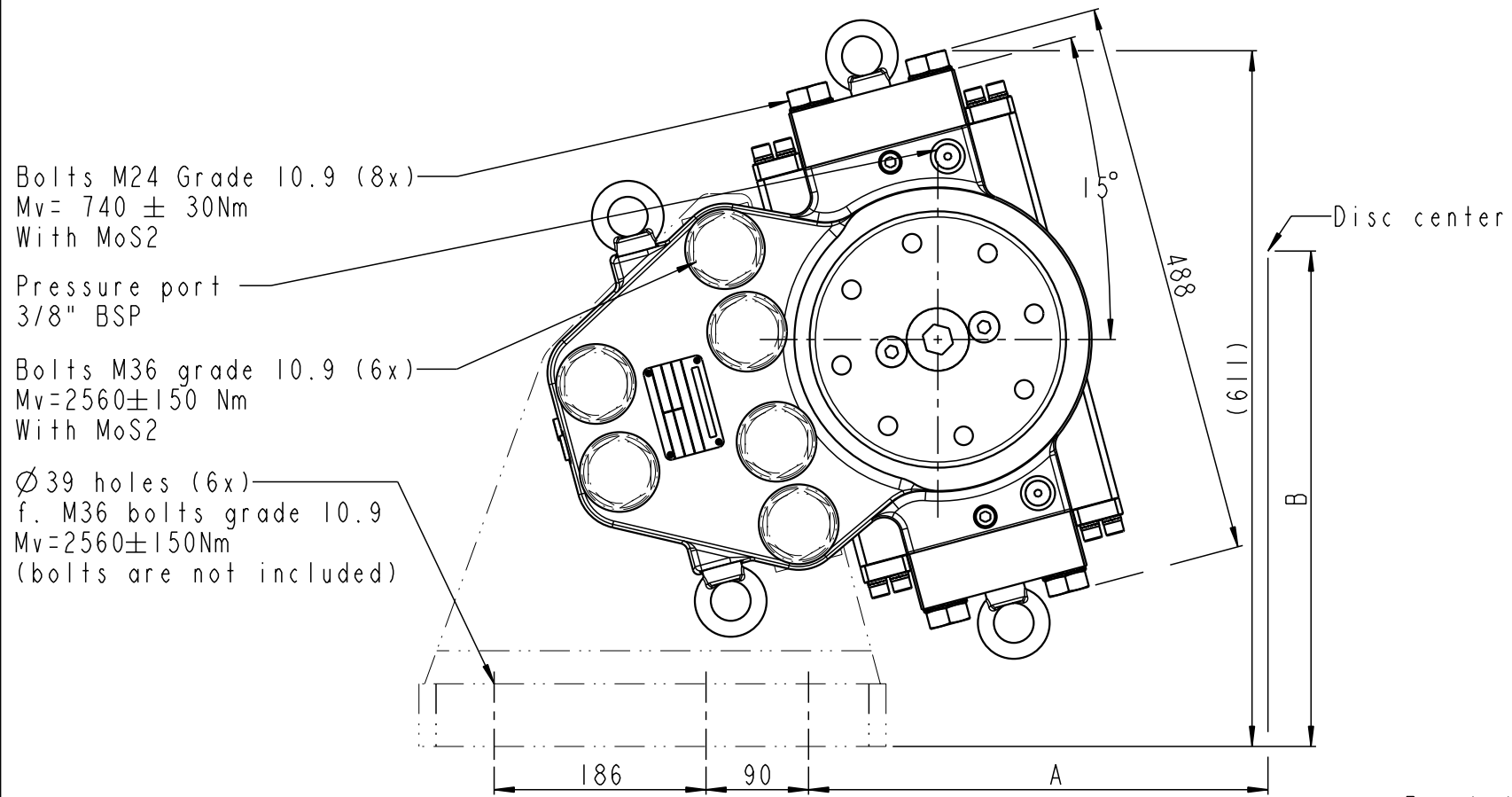


Rev. F 96244 MKN 11.04.2013
Rev. G 96244 MKN 18.04.2013
Rev. H 96814 SFR 04.12.2013

Svendborg Brakes A/S, Denmark
CVR / VAT: 13256438
www.svendborg-brakes.com

This drawing / document remains the property of Svendborg Brakes A/S and must not be copied without our prior written permission, and the contents thereof must not be disclosed to any third party, nor be used for any unauthorized purpose. Legal action will be taken in the event of contravention.



Bolts M24 Grade 10.9 (8x)
Mv= 740 ± 30Nm
With MoS2

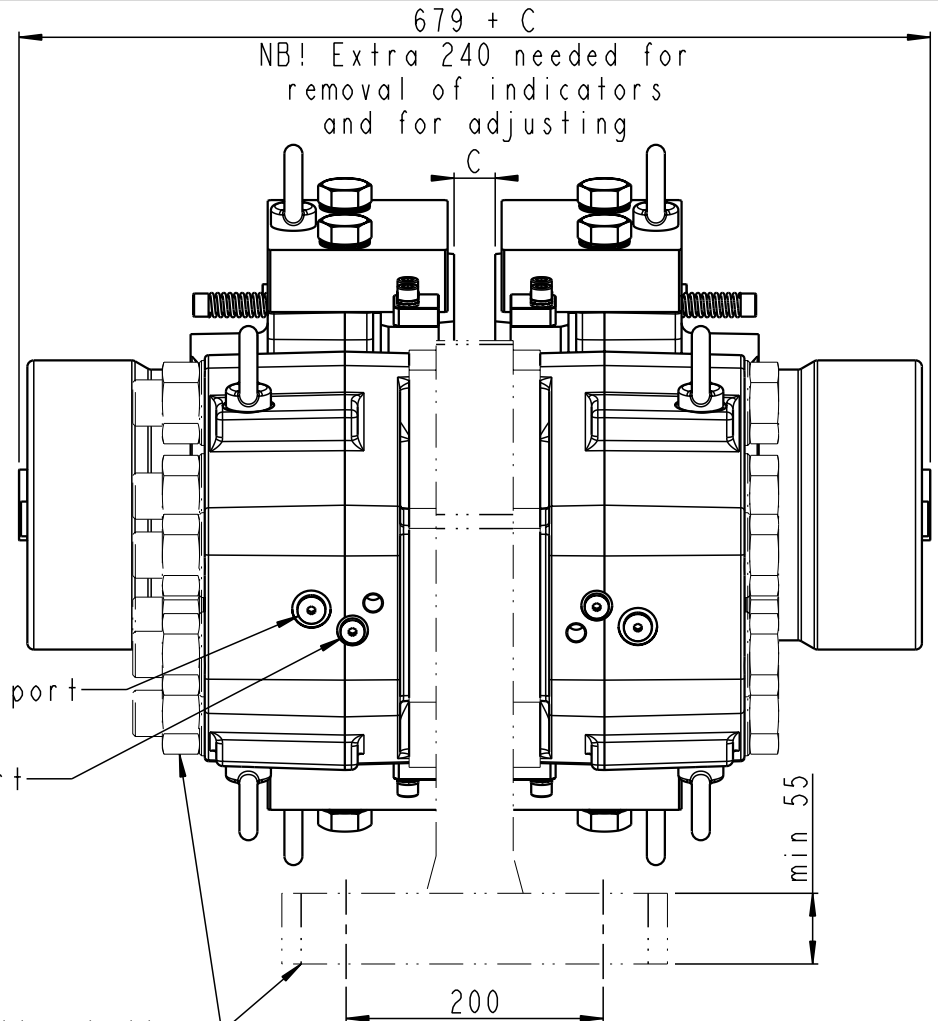
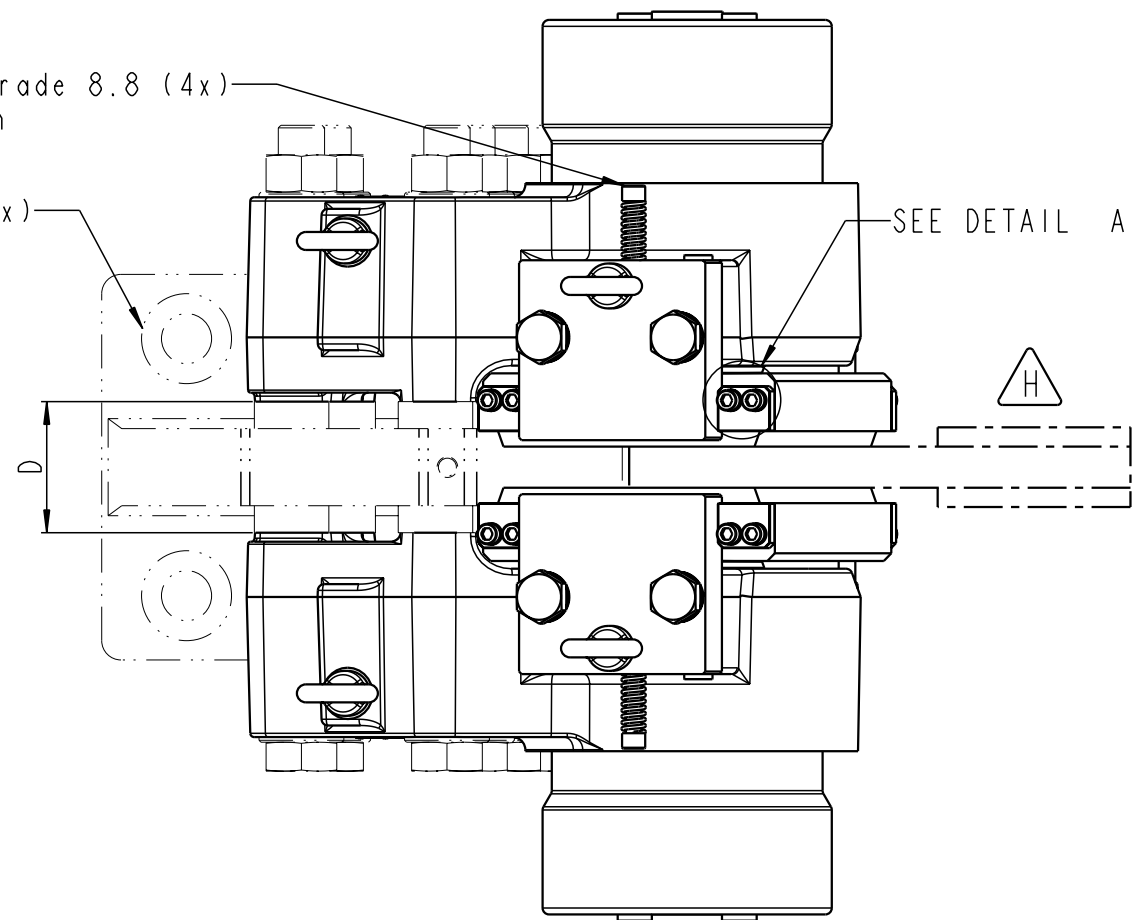
Pressure port
3/8" BSP

Bolts M36 grade 10.9 (6x)
Mv=2560±150 Nm
With MoS2

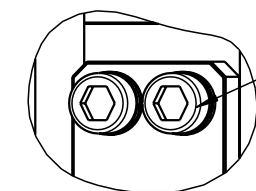
Ø39 holes (6x)
f. M36 bolts grade 10.9
Mv=2560±150Nm
(bolts are not included)

Bolts M12 Grade 8.8 (4x)
Mv=52 ± 6Nm
Dry

CS Ø70x1 (6x)



Bracket and mounting bolts are not included in brake



Bolts for pad guides
M10 Grade 8.8
Mv = 45 ± 6 Nm
Dry

DETAIL A SCALE 1:2

Distance from center of disc (R= Radius of disc)
A = 0.966(R-115) + 114
B = 0.259(R-115) + 357
C = Disc thickness
D = Mounting surface = C + 72
Mounting data, see drawing 490 3633
Weight: Approx. 425 kg incl. brake pads (excl. bracket and bolts)

Tolerances for internal and external radii, angles and chamfers according to: ISO 2768 - mK	✓ Indicates Ra in µm	All dimensions in mm	Drawing status
	Description		Released
Drawn by R.R.Hansen	BSFK 500-S-100		
Date: 27.04.2006	Drawing No.		Revision H
SVENDBORG BRAKES		490-3514	Scale 17:100 (A3)
		Sheet 1 of 1 sheets	

Svendborg Brakes A/S reserves the right to revise this document without prior notification or obligation